



Expertise Applied | Answers Delivered

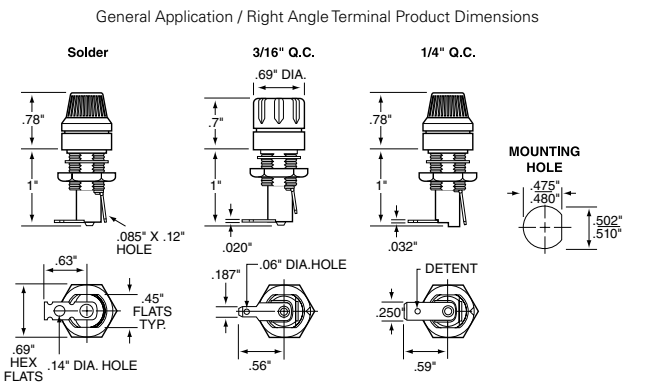
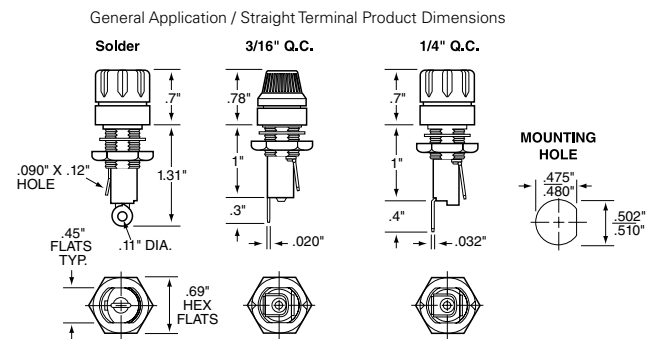
Cartridge Fuse Holders

Enclosed Fuseholders > Panel Mounted

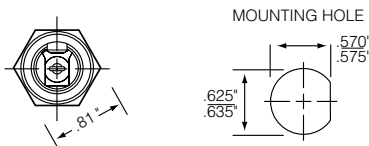
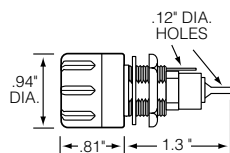
342 Series Panel Mount Enclosed Fuse Holders for 3AG/AB Fuses



Dimensions



Watertight Product Dimensions



Product Characteristics

	General Application Products	Watertight Product
Compatible Fuses	3AG/AB	
Electrical	Rated at 20 amperes for any voltage up to 250.	
Ambient Temperature	-40°C to +85°C.	
Dielectric Strength	2400 volts minimum.	1500 volts minimum.
Mounting	Withstands 15 lb.-in. mounting torque; maximum panel thickness: .187".	Withstands 15 lb.-in. mounting torque; maximum panel thickness is .250".
Molded Parts	Black thermoplastic (UL94 V-0).	Black thermoset (UL94 V-0).
Seal	Neoprene washer provide drip-proof protection on the front side of the panel (upon request)	O-ring provides a watertight seal on the front side of the panel per MIL-PRF-19207.
Terminals	Copper & copper alloy. Tin plated, except 1/4" Quick-Connect terminals are nickel plated.	Copper & copper alloy. Tin plated.
Hardware	Comes with a mounting nut and neoprene washer	O-rings (2) and hex nut, unassembled.

Agency Approvals

Agency	Agency File Number
	E14721
	7316 (*Except 342 006)

Ordering Information

Body Terminal Type		Catalog Number	
Angle	Connect	Fluted Knob	Knurled Knob
General Application Products:			
Straight	Solder	342 014	342 012
	3/16" Q.C.	342 038	342 058
	1/4" Q.C.	342 838	342 858
Right Angle	Solder	342 004	342 022
	3/16" Q.C.	342 028	342 048
	1/4" Q.C.	342 828	342 848
Watertight Product:			
Straight	Solder	342 006 *	Not Applicable

NOTE: Ensure that proper fuse re-rating is factored in fuseholder selection.

Additional Information



Datasheet



Resources



Samples