

SQUARE BODY HIGH-SPEED FUSES

700/1300 V ac • Very Fast-Acting • 63-2500 A



Description

Littelfuse North American style square body high-speed fuses provide maximum flexibility in equipment design and ultimate protection for today's power conversion equipment. Available in different body sizes and multiple mounting styles, the broad range of ampere ratings allows great flexibility in equipment design.

Engineered to provide state-of-the-art protection for SCRs, diodes, thyristors, GTOs, and IGBT devices, Littelfuse square body fuses have pure die-cut elements embedded in solidified sand to control arcing and lower I²t. All fuses are also equipped with a blown fuse trip indicator.

Features

- Choice of mounting styles provides a wide choice for equipment design.
- Broad range of ampere ratings in a given body size for design flexibility.
- Very low I²t minimizes damage to protected components.
- Superior cycling ability for long, reliable life on high cyclic loading.
- Extremely fast-acting and current-limiting for improved protection to equipment.

Applications

Protection of rectifiers, inverters, DC drives, UPS systems, reduced voltage motor starters, and other equipment in globally accepted applications.

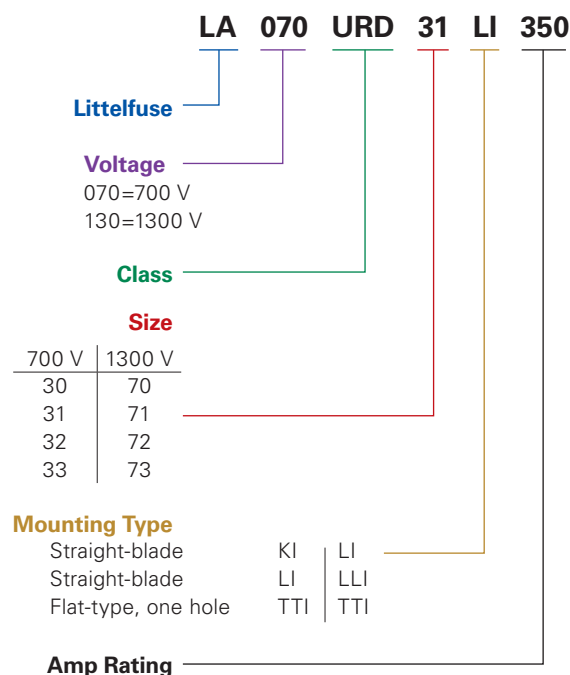
Specifications

Voltage Rating	AC: 700 V (LA070) 1300 V (LA130)
	DC: Contact factory
Interrupting Rating	AC: 200 kA (LA070) 100 kA (LA130)
	DC: Contact factory
Ampere Range	63 – 2500 A
Approvals	UL Recognized Component

Dimensions

Please refer to the Square Body dimensions pg. 3 & 5

Ordering Information





Fuses - High-Speed

SQUARE BODY HIGH-SPEED FUSES

700/1300 Vac • Very Fast-Acting • 63-2500 A

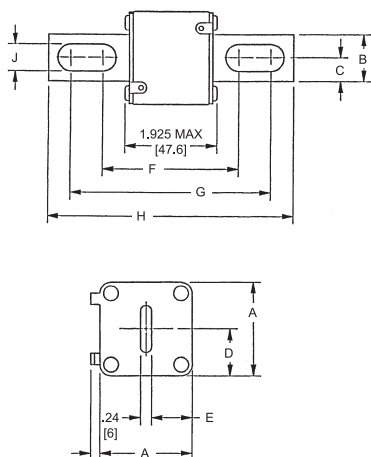
BODY SIZE	AMPERE RATING	RATED VOLTAGE	MELTING I ² T (A ² S X 10 ³)	TOTAL I ² T @ RATED VOLTAGE (A ² S X 10 ³)	*WATTS LOSS @ RATED CURRENT (W)	LONG BLADE CATALOG NUMBER TYPE LI	SHORT BLADE CATALOG NUMBER TYPE KI	TAPPED TERMINAL CATALOG NUMBER TYPE TTI
30	63	700	0.2	1.2	14	LA070URD30LI0063	LA070URD30KI0063	-
	80	700	0.33	1.9	19	LA070URD30LI0080	LA070URD30KI0080	-
	100	700	0.47	2.7	26	LA070URD30LI0100	LA070URD30KI0100	-
	125	700	0.85	4.9	30	LA070URD30LI0125	LA070URD30KI0125	-
	160	700	1.6	9.2	37	-	LA070URD30KI0160	-
	200	700	3	16.7	42/43	LA070URD30LI0200	LA070URD30KI0200	-
	250	700	5.8	32.4	48/50	LA070URD30LI0250	LA070URD30KI0250	-
	315	700	12	67	53/55	LA070URD30LI0315	LA070URD30KI0315	-
	350	700	15.5	86	57/60	LA070URD30LI0350	LA070URD30KI0350	-
	400	700	23	130	60/65	LA070URD30LI0400	LA070URD30KI0400	-
	450	700	26	165	80/88	LA070URD30LI0450	LA070URD30KI0450	-
	500	700	41	264	80/88	LA070URD30LI0500	LA070URD30KI0500	-
550	700	52	330	80/90	LA070URD30LI0550	LA070URD30KI0550	-	
31	200	700	2.5	14.6	45	LA070URD31LI0200	LA070URD31KI0200	-
	250	700	4.7	27	52	LA070URD31LI0250	LA070URD31KI0250	-
	315	700	7.5	43	65	LA070URD31LI0315	LA070URD31KI0315	-
	350	700	10.5	59	67	LA070URD31LI0350	LA070URD31KI0350	-
	400	700	19	110	68	LA070URD31LI0400	LA070URD31KI0400	-
	450	700	26.5	150	70	LA070URD31LI0450	LA070URD31KI0450	-
	500	700	37	210	70/72	LA070URD31LI0500	LA070URD31KI0500	-
	550	700	52	300	70/75	LA070URD31LI0550	LA070URD31KI0550	-
	630	700	75	421	75/85	LA070URD31LI0630	LA070URD31KI0630	-
	700	700	95	530	85/95	LA070URD31LI0700	LA070URD31KI0700	-
800	700	140	880	105/120	LA070URD31LI0800	LA070URD31KI0800	-	
32	400	700	15	86	72/75	LA070URD32LI0400	LA070URD32KI0400	-
	450	700	22	124	77/80	LA070URD32LI0450	LA070URD32KI0450	-
	500	700	28	157	85/90	LA070URD32LI0500	LA070URD32KI0500	-
	550	700	37	211	90/95	LA070URD32LI0550	LA070URD32KI0550	-
	630	700	54	302	95/105	LA070URD32LI0630	LA070URD32KI0630	-
	700	700	76	432	100/110	LA070URD32LI0700	LA070URD32KI0700	-
	800	700	115	648	110/120	LA070URD32LI0800	LA070URD32KI0800	-
	900	700	170	972	110/125	LA070URD32LI0900	LA070URD32KI0900	-
	1000	700	240	1350	115/135	LA070URD32LI1000	LA070URD32KI1000	-
	1100	650	270	1620	140/165	LA065URD32LI1100	-	-
	1250	600	410	2100	150/180	LA060URD32LI1250	-	LA060URD32TTI1250
	1400	550	555	2600	160/190	LA055URD32LI1400	-	LA055URD32TTI1400
1600	550	870	4000	165/195	LA055URD32LI1600	-	LA055URD32TTI1600	
1800	500	1050	4400	195/330	LA050URD32LI1800	-	LA050URD32TTI1800	
33	500	700	19	108	105	LA070URD33LI0500	LA070URD33KI0500	-
	550	700	27	151	105/110	LA070URD33LI0550	LA070URD33KI0550	-
	630	700	40	227	110/120	LA070URD33LI0630	LA070URD33KI0630	-
	700	700	55	324	115/125	LA070URD33LI0700	LA070URD33KI0700	-
	800	700	95	529	120/130	LA070URD33LI0800	LA070URD33KI0800	-
	900	700	135	760	120/135	LA070URD33LI0900	LA070URD33KI0900	-
	1000	700	170	970	135/155	LA070URD33LI1000	LA070URD33KI1000	-
	1100	700	240	1360	135/160	LA070URD33LI1100	LA070URD33KI1100	-
	1250	700	350	2000	150/180	LA070URD33LI1250	LA070URD33KI1250	-
	1400	700	480	2700	160/200	LA070URD33LI1400	LA070URD33KI1400	-
	1600	650	555	3250	210/240	LA065URD33LI1600	-	-
	1800	650	720	4330	225/260	LA065URD33LI1800	-	-
	2000	600	950	5000	250/290	LA060URD33LI2000	-	-
	2250	550	1250	5900	280/330	LA055URD33LI2250	-	LA055URD33TTI2250
	2500	500	1870	7600	280/330	LA050URD33LI2500	-	LA050URD33TTI2500

*Watts loss data is published for both blade and tapped style mounting configurations. When two watts loss values are shown, this represents tapped/blade values respectively. Contact Littelfuse for characteristic curves.

SQUARE BODY HIGH-SPEED FUSES

700/1300 Vac • Very Fast-Acting • 63-2500 A

TYPES KI AND LI



North American Straight Blade, Type KI

Dimensions

Dimensions for reference only.

CATALOG NUMBER	DIMENSIONS INCHES (mm)								
	A	B	C	D	E	F	G	H	J
LA070URD30KI (63-550)	1.57 (40)	0.98 (25)	0.49 (12.5)	0.83 (21)	0.71 (18)	2.68 (68)	4.21 (107)	5.08 (129)	0.41 (10.5)
LA070URD31KI (200-800)	2.01 (51)	0.98 (25)	0.49 (12.5)	1.0 (25.5)	0.89 (22.5)	2.66 (67.6)	4.22 (107.1)	5.07 (128.8)	0.56 (14.3)
LA070URD32KI (400-1000)	2.36 (60)	1.26 (32)	0.63 (16)	1.18 (30)	1.06 (27)	2.92 (74.2)	4.29 (109)	5.28 (134)	0.57 (14.6)
LA070URD33KI (500-1400)	2.93 (74.5)	1.57 (40)	0.79 (20)	1.46 (37.2)	1.35 (34.2)	2.97 (75.4)	4.24 (107.6)	5.28 (134)	0.63 (15.9)

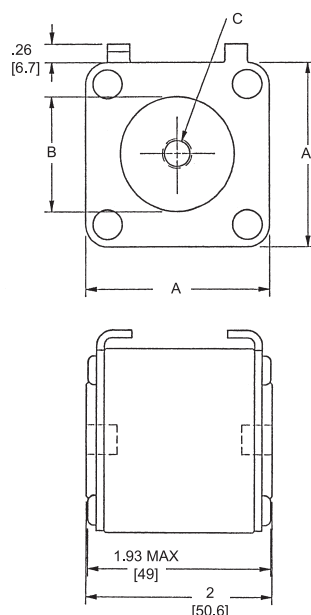
North American Straight Blade, Type LI

Dimensions

Dimensions for reference only.

CATALOG NUMBER	DIMENSIONS INCHES (mm)								
	A	B	C	D	E	F	G	H	J
LA070URD30LI (63-550)	1.57 (40)	0.98 (25)	0.49 (12.5)	0.83 (21)	0.71 (18)	3.45 (87.6)	4.98 (126.6)	5.85 (148.6)	0.41 (10.5)
LA070URD31LI (200-800)	2.01 (51)	0.98 (25)	0.49 (12.5)	1.0 (25.5)	0.89 (22.5)	3.61 (91.6)	4.82 (122.4)	5.85 (148.6)	0.57 (14.6)
LA070URD32LI (400-1000)									
LA060URD32LI (1250)	2.36 (60)	1.26 (32)	0.63 (16)	1.18 (30)	1.06 (27)	3.71 (94.2)	5.08 (129)	6.02 (153)	0.57 (14.6)
LA055URD32LI (1400-1600)									
LA050URD32LI (1800)									
LA070URD33LI (500-1400)									
LA065URD33LI (1600-1800)	2.93 (74.5)	1.57 (40)	0.79 (20)	1.46 (37.2)	1.35 (34.2)	3.72 (94.4)	4.98 (126.6)	6.02 (153)	0.63 (15.9)
LA060URD33LI (2000)									
LA055URD33LI (2250)									
LA050URD33LI (2500)									

TYPE TTI



North American Flat Single Hole, Type TTI

Dimensions

Dimensions for reference only.

CATALOG NUMBER	DIMENSIONS INCHES (mm)		
	A	B	C
LA060URD32TTI (1250)	2.37 (60.3)	1.50 (38.1)	3/16 x 0.35
LA055URD32TTI (1400-1600)			
LA050URD32TTI (1800)			
LA055URD33TTI (2250)	2.94 (74.5)	1.81 (46)	1/2-18 x 0.35
LA050URD33TTI (2500)			



Fuses - High-Speed

SQUARE BODY HIGH-SPEED FUSES

700/1300 Vac • Very Fast-Acting • 63-2500 A

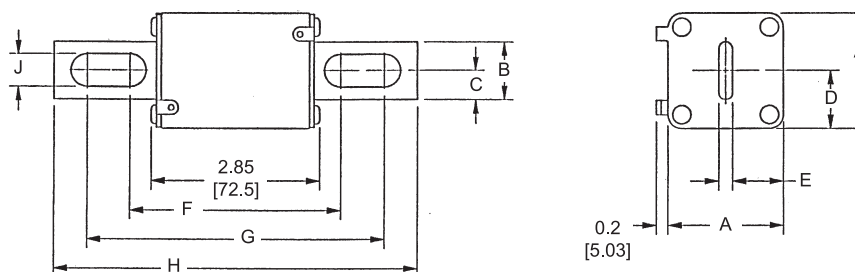
BODY SIZE	AMPERE RATING	RATED VOLTAGE	MELTING I ² T (A ² S X 10 ³)	TOTAL I ² T @ RATED VOLTAGE (A ² S X 10 ³)	*WATTS LOSS @ RATED CURRENT (W)	LONG BLADE CATALOG NUMBER TYPE LI/LLI	TAPPED TERMINAL CATALOG NUMBER TYPE TTI
70	63	1300	0.21	1.8	26	LA130URD70LI0063	-
	80	1300	0.47	4	27	LA130URD70LI0080	-
	100	1300	0.83	7.2	30	LA130URD70LI0100	-
	125	1300	1.3	11	38	LA130URD70LI0125	-
	160	1300	2.5	22	45	LA130URD70LI0160	-
	200	1300	4.7	40	54/56	LA130URD70LI0200	-
	250	1300	9.6	82	58/61	LA130URD70LI0250	-
	315	1300	20	172	66/72	LA130URD70LI0315	-
	350	1200	28	205	68/75	LA120URD70LI0350	LA120URD70TTI0350
71	160	1300	2.6	22	46	LA130URD71LLI0160	-
	200	1300	4.7	40	54	LA130URD71LLI0200	-
	250	1300	8.9	76	61	LA130URD71LLI0250	-
	280	1300	12	102	68/70	LA130URD71LI0280	-
	315	1300	16	138	73/76	LA130URD71LLI0315	-
	350	1300	22	190	76/80	LA130URD71LLI0350	-
	400	1300	38	330	76/80	LA130URD71LLI0400	-
	450	1300	47	405	87/95	LA130URD71LLI0450	-
	500	1200	68	500	90/100	LA120URD71LLI0500	LA120URD71TTI0500
	550	1200	84	620	98/112	LA120URD71LLI0550	LA120URD71TTI0550
	630	1100	125	930	105	LA110URD71LLI0630	-
	630	1200	125	930	120	-	LA120URD71TTI0630
72	280	1300	10	90	72	LA130URD72LI0280	-
	315	1300	15	130	76	LA130URD72LI0315	-
	350	1300	21	180	77	LA130URD72LI0350	-
	400	1300	32	285	80	LA130URD72LI0400	-
	450	1300	44	380	87/89	LA130URD72LI0450	-
	500	1300	57	500	94/98	LA130URD72LI0500	-
	550	1300	68	590	110/120	LA130URD72LI0550	-
	630	1200	105	920	113	LA120URD72LI0630	-
	630	1300	105	920	125	-	-
	700	1100	145	1040	122	LA110URD72LI0700	-
	700	1200	145	1040	140	-	LA120URD72TTI0700
	800	1100	215	1590	125	LA110URD72LI0800	-
	800	1200	215	1590	146	-	LA120URD72TTI0800
	73	315	1300	12	102	84	LA130URD73LI0315
350		1300	17	150	86	LA130URD73LI0350	-
400		1300	25	220	93	LA130URD73LI0400	-
450		1300	35	310	99/100	LA130URD73LI0450	-
500		1300	44	390	110/112	LA130URD73LI0500	-
550		1300	57	500	116/120	LA130URD73LI0550	-
630		1300	84	730	125/132	LA130URD73LI0630	-
700		1300	110	960	135/146	LA130URD73LI0700	-
800		1200	190	1630	136	LA120URD73LI0800	-
800		1300	190	1630	148	-	LA130URD73TTI0800
900		1100	250	2160	150	LA110URD73LI0900	-
900		1000	250	2160	170	-	LA100URD73TTI0900
1000		1000	370	2430	152/174	LA100URD73LI1000	LA100URD73TTI1000
1100		1000	445	2580	168/208	LA100URD73LI1100	LA100URD73TTI1100
1250		1000	585	3480	186/200	LA100URD73LI1250	LA100URD73TTI1250
1400		900	755	3880	210/228	LA090URD73LI1400	LA090URD73TTI1400
1600		700	1430	5630	203	LA070URD73LI1600	LA070URD73TTI1600
1800		660	2040	7600	206	LA065URD73LI1800	LA065URD73TTI1800

*Watts loss data is published for both blade and tapped style mounting configurations. When two watts loss values are shown, this represents tapped/blade values respectively. Contact Littelfuse for characteristic curves.

SQUARE BODY HIGH-SPEED FUSES

700/1300 Vac • Very Fast-Acting • 63-2500 A

TYPES LI AND LLI



North American Straight Blade, Types LI and LLI

Dimensions

Dimensions for reference only.

CATALOG NUMBER	DIMENSIONS INCHES (mm)								
	A	B	C	D	E	F	G	H	J
LA130URD70LI (63-315)	1.57	0.98	0.49	0.83	0.71	3.60	5.13	6.00	0.41
LA120URD70LI (350)	(40)	(25)	(12.5)	(21)	(18)	(91.4)	(130.4)	(152.4)	(10.5)
LA130URD71LLI (160-450)	2.01	0.98	0.49	1.0	0.89	3.60	5.13	6.00	0.57
LA120URD71LLI (500-550)	(51)	(25)	(12.5)	(26.5)	(22.5)	(91.4)	(130.4)	(152.4)	(14.6)
LA110URD71LLI (630)									
LA130URD72LI (280-550)	2.36	1.26	0.63	1.18	1.06	3.84	5.2	6.20	0.57
LA120URD72LI (800)	(60)	(32)	(16)	(30)	(27)	(97.6)	(132.4)	(157.4)	(14.6)
LA110URD72LI (700-800)									
LA130URD73LI (315-700)									
LA120URD73LI (800)									
LA110URD73LI (900-1000)	2.93	1.57	0.79	1.46	1.35	3.89	5.21	6.20	0.63
LA090URD73LI (1400)	(74.5)	(40)	(20)	(37.2)	(34.2)	(98.8)	(132.4)	(157.4)	(15.9)
LA070URD73LI (1600)									
LA065URD73LI (1800)									

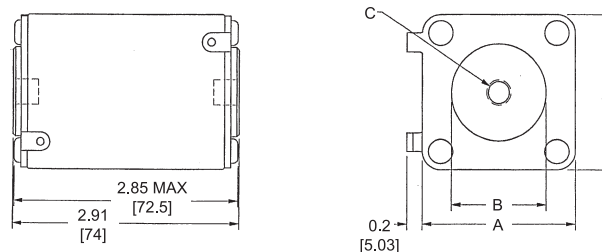
North American Flat Single Hole, Type TTI

Dimensions

Dimensions for reference only.

CATALOG NUMBER	DIMENSIONS INCHES (mm)		
	A	B	C
LA120URD70TTI (350)	1.57	1.00	5/16-18 x 0.23 DP
	(40)	(26.4)	
LA120URD71TTI (500-630)	2.01	1.19	5/16-18 x 0.36 DP
	(51)	(30.2)	
LA120URD72TTI (700-800)	2.36	1.50	3/8-18 x 0.36 DP
	(60)	(38.1)	
LA130URD73TTI (800)			
LA100URD73TTI (900-1250)			
LA090URD73TTI (1400)	2.93	1.81	1/2-18 x 0.36 DP
	(74.5)	(46)	
LA070URD73TTI (1600)			
LA065URD73TTI (1800)			

TYPE TTI



Disclaimer Notice – Information furnished is believed to be accurate and reliable. However, users should independently evaluate the suitability of and test each product selected for their own applications. Littelfuse products are not designed for, and may not be used in, all applications. Read complete Disclaimer Notice at www.littelfuse.com/product-disclaimer.