

# MINI<sup>®</sup> BLADE FUSE RATED 32V



**Also available:  
MINI<sup>®</sup> Sn Fuse  
(tin plated)**

## Specifications

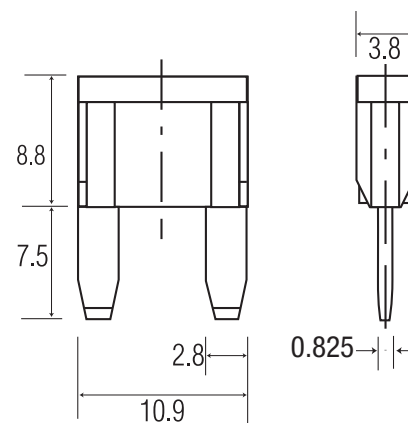
|                              |  |
|------------------------------|--|
| Interrupting Rating:         | 1000A @ 32 VDC   |
| Voltage Rating:              | 32 VDC   |
| Operating Temperature Range: | -40°C to +125°C (Sn=-40°C to +105°C)   |
| Terminals:                   | Ag plated zinc alloy   |
| Housing Material:            | PA66   |
| Complies with:               | Meets SAE J2077<br>ISO 8820-3<br>UL 248 Special Purpose Fuses<br>(Sn Fuse not UL recognized) |

## Ordering Information

| Part Number                     | Package Size |
|---------------------------------|--------------|
| 0297xxx.WXNV                    | 3000         |
| 0297xxx.U                       | 500          |
| 0297xxx.H                       | 100          |
| 0297xxx.L                       | 50           |
| <b>MINI<sup>®</sup> Sn Fuse</b> |              |
| 0297xxx.WXT                     | 3000         |

## Dimensions

Dimensions in mm



## Description

The MINI<sup>®</sup> Fuse is the standard for vehicle circuit protection. Its miniature design meets the need for more circuits to be protected while utilizing less space, and its ability to cope with high temperatures in adverse environments makes the MINI<sup>®</sup> Fuse of recommended choice for protection.

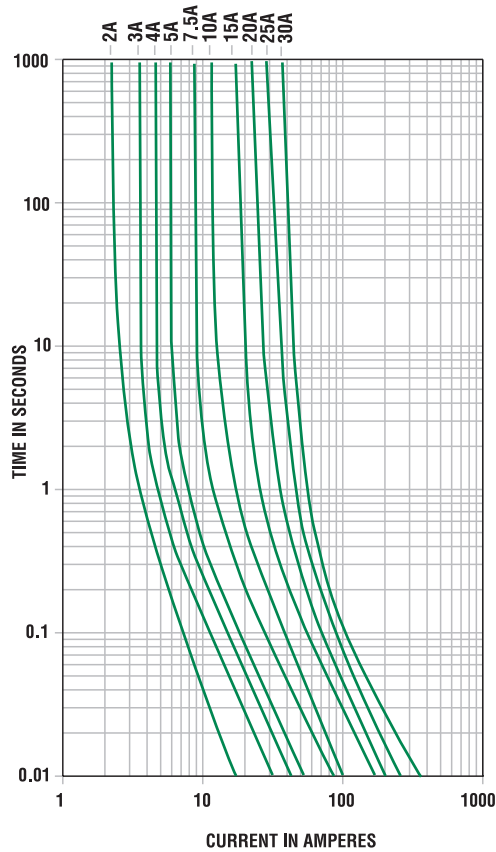
## Time-Current Characteristics

| % of Rating | Opening Time Min / Max (s) |
|-------------|----------------------------|
| 110         | 360,000 s / -              |
| 135         | 0.75 s / 600 s             |
| 200         | 0.15 s / 5 s               |
| 350         | 0.080 s / 0.500 s          |
| 600         | 0.030 s / 0.100 s          |

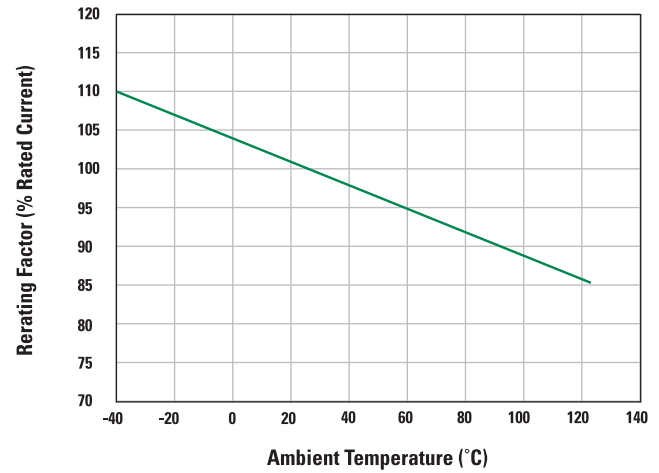
# MINI<sup>®</sup> BLADE FUSE RATED 32V



## Time-Current Characteristic Curves



## Temperature Rerating Curve



## Ratings

| Part Number | Current Rating | Housing Material Color | Typ. Voltage Drop | Cold Resistance | I <sup>2</sup> t      |
|-------------|----------------|------------------------|-------------------|-----------------|-----------------------|
| 0297002_    | 2 A            | Grey                   | 171 mV            | 55.60 mΩ        | 2.8 A <sup>2</sup> s  |
| 0297003_    | 3 A            | Purple                 | 153 mV            | 33.75 mΩ        | 9.4 A <sup>2</sup> s  |
| 0297004_    | 4 A            | Pink                   | 121 mV            | 23.48 mΩ        | 17 A <sup>2</sup> s   |
| 0297005_    | 5 A            | Brown                  | 129 mV            | 17.75 mΩ        | 25 A <sup>2</sup> s   |
| 029707.5_   | 7.5 A          | Dark Brown             | 135 mV            | 10.85 mΩ        | 68 A <sup>2</sup> s   |
| 0297010_    | 10 A           | Red                    | 108 mV            | 7.42 mΩ         | 93 A <sup>2</sup> s   |
| 0297015_    | 15 A           | Blue                   | 98 mV             | 4.58 mΩ         | 270 A <sup>2</sup> s  |
| 0297020_    | 20 A           | Yellow                 | 96 mV             | 3.21 mΩ         | 380 A <sup>2</sup> s  |
| 0297025_    | 25 A           | White                  | 86 mV             | 2.36 mΩ         | 625 A <sup>2</sup> s  |
| 0297030_    | 30 A           | Green                  | 87 mV             | 1.85 mΩ         | 1130 A <sup>2</sup> s |